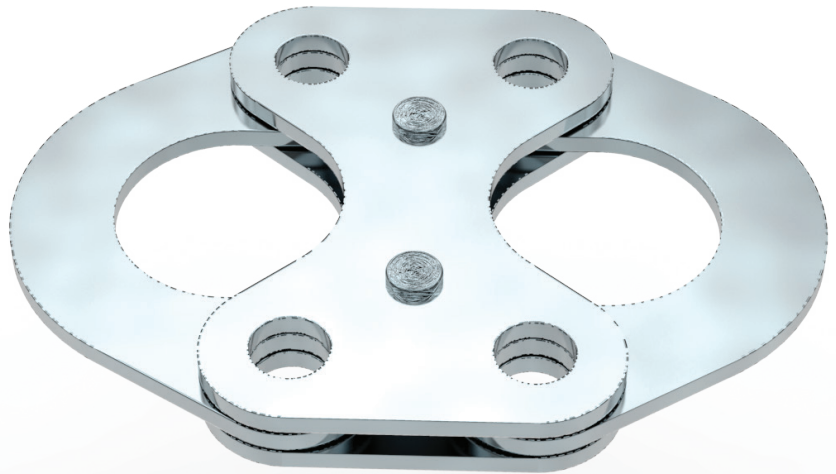


GC-4

MULTI-USER LOCK SYSTEM

- » Simplistic design
- » Ease of installation
- » Accepts up to (4) users
- » Protective zinc coating



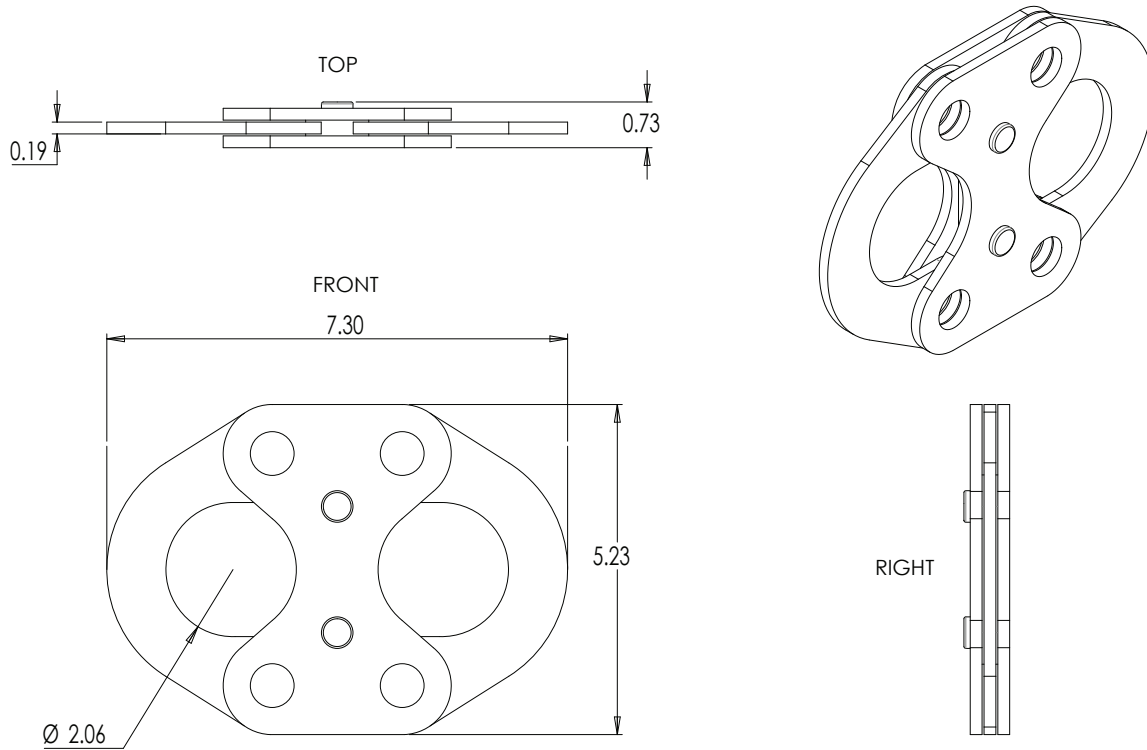
GC-4

Dimensions: 7.30" x 5.25" x 0.73"

Weight: 2.5 lbs.

GC-4

MULTI-USER LOCK SYSTEM



PROPRIETARY AND CONFIDENTIAL

THE INFORMATION CONTAINED IN THIS DRAWING IS THE SOLE PROPERTY OF EVERLOCK SYSTEMS. ANY REPRODUCTION IN PART OR AS A WHOLE WITHOUT THE WRITTEN PERMISSION OF EVERLOCK SYSTEMS IS PROHIBITED.

