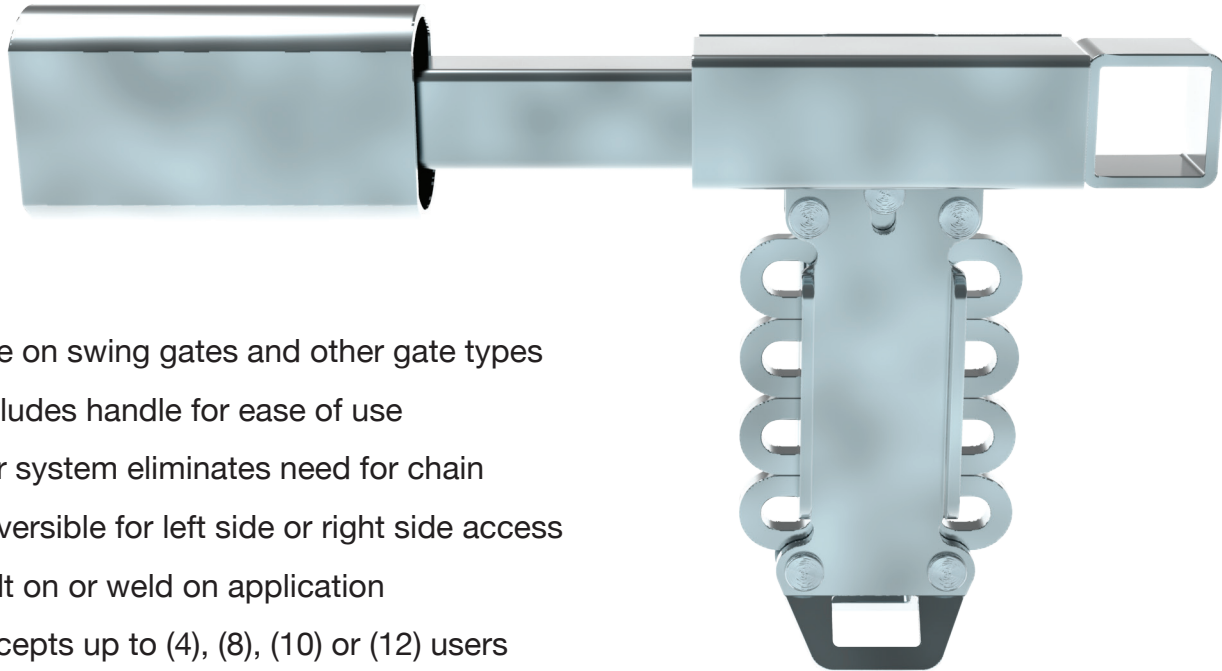


SLT

MULTI-USER LOCK SYSTEM



- » Use on swing gates and other gate types
- » Includes handle for ease of use
- » Bar system eliminates need for chain
- » Reversible for left side or right side access
- » Bolt on or weld on application
- » Accepts up to (4), (8), (10) or (12) users
- » Protective zinc coating



SLT-4

Dimensions: 18.00" x 2.99" x 7.10"

Weight: 10 lbs.

SLT-8

Dimensions: 18.00" x 2.99" x 9.70"

Weight: 13 lbs.

SLT-10

Dimensions: 18.00" x 2.99" x 10.95"

Weight: 14.5 lbs.

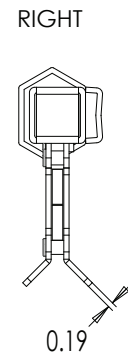
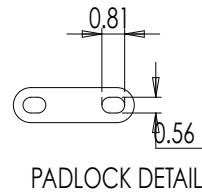
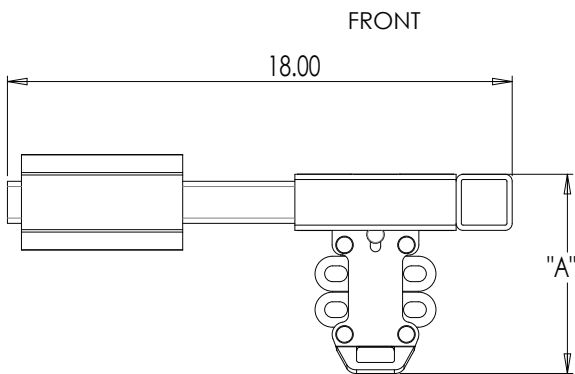
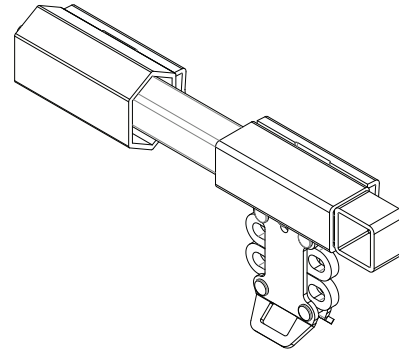
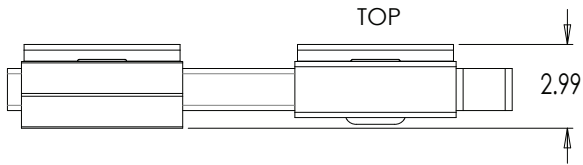
SLT-12

Dimensions: 18.00" x 2.99" x 12.20"

Weight: 16 lbs.

SLT

MULTI-USER LOCK SYSTEM



MODEL	DIMENSION A
SLT-4	7.10
SLT-8	9.70
SLT-10	10.95

PROPRIETARY AND CONFIDENTIAL

THE INFORMATION CONTAINED IN THIS DRAWING IS THE SOLE PROPERTY OF EVERLOCK SYSTEMS. ANY REPRODUCTION IN PART OR AS A WHOLE WITHOUT THE WRITTEN PERMISSION OF EVERLOCK SYSTEMS IS PROHIBITED.

